

AQUATRACE® ATT520

Transmitter 0-500 ppm_v | 0-20.000 ppb_v

P₂O₅-Inline measurement in systems with KF40 flange

Product Features

- ✓ Measuring range 0-500ppm_v | 0-20.000 ppb_v
- ✓ Resolution 0,01 ppm_v / 1 ppb_v
- ✓ Sensor with Pt-Interdigital Structure
- ✓ Free of drift
- ✓ Easy to maintain, no follow-up costs
- ✓ No need of calibration
- ✓ Offset possible
- ✓ 2-wire power supply
- ✓ Traceable measuring result
- ✓ Power supply 24V DC
- ✓ Eigensicher Anschluss für ATEX

Applications

- ✓ Inert and protective gases
- ✓ Coolant
- ✓ Glove-Boxes
- ✓ Insulators
- ✓ Vacuum
- ✓ Welding gases
- ✓ Vacuum dryer

AQUATRACE® ATT520

Transmitter 0-500ppm_v | 0-20.000 ppm_v

for measuring of traces of moisture

The really universal trace of moisture transmitter!

Our **ATT520** can be used for all neutral and aggressive gases (except NH₃). A single trace moisture transmitter that can be used in all industrial, medical and analytical applications.

Sustainable construction!

Thanks to its modular design, the entire unit does not have to be replaced in the event of mechanical damage, only the defective component. The sensor has an almost unlimited lifetime.

Easy integration for OEM's!

The **ATT520** is available in different versions!

- (1) KF40 flange
- (2) G 1/2" screw-in thread

No calibration! No extra costs!

Unlike the usual dew point transmitters, our sensor does not require recalibration. This means that no sensor replacement is necessary. No hidden costs! A traceable calibration certificate is available! If you need recalibration and sensor check, please send to us!

Security and reliability

The **AQUATRACE® ATT 520** fulfills the usual health and safety requirements of the industry.

- ✓ Material certificates optionally available
- ✓ For chlorine and fluorine-containing atmospheres

Measuring performance

The new ceramic carrier with Pt interdigital structure and the modern micro-electronics enable us to carry out precise and reproducible measurements. No drift behavior, as can often be observed with capacitive sensors.

Delivery times

Our sensors are sold worldwide. We have a dealer network. The most common variants are usually in stock.

Accessory

All **ATT520** transmitters include an M8 cable with flying leads, operating instructions and a small bottle of orthophosphoric acid (25ml, 40 vol.%), which is sufficient for approx. 100 coatings. (Costs about € 5.00). One coating is sufficient for 6-24 months.

Technical Specifications

Product: AQUATRACE® ATT520 - Transmitter 0-500 ppm_v | 0-20.000 ppm_v traces of moisture

Performance Specifications

Measuring range: 0-500 Vppm, dew-point –100 °C - 20 °C, other measuring ranges available on request

Accuracy: +/- 2 % of the displayed value, at least 0.4 Vppm or 10 ppb

Reaction time: dry to wet: T90 < 5 sek; wet to dry: T90 < 15 min

Repeatability: +/- 0.01 ppm_v or +/- 5 ppb_v

Calibration: No calibration needed; traceable calibration certificate on request

Display: Optional OLED 128x64 pixel, white (shows ppm and °C dp)

Electrical Specifications

Output-Signal: 0-10V or 4-20 mA (2-wire power source), RS232 (9600, 8, n, 1) or RS485

Output: ppm_v / ppb_v

Scaled Analog-Output 0-500 ppm_v / 0-20.000 ppb_v

Power Supply: 19-26 V DC

Current Consumption: 1.7 A max., depends from output signal

Conformity: CE, EN 61000-4-2 EN 61000-4-3, EN 61000-4-4, EN 55011, EN ISO 12100

Operating Conditions

Operating Temperature: -10 bis 60°C

Storage Temperature: -10 bis 60°C

Flow: Ensuring constant flow speed!

Operating Pressure: 0-10 bar absolute, 0-10 m/s in case of inline-measuring

Mechanical Specifications

Protection Level: IP65

Housing Material: Stainless steel V2A, optional V4A and PVDF-measuring cell

Sensor Material: Pt-Interdigital structure on ceramic substrate, optional Pt-winding on glas/ceramic

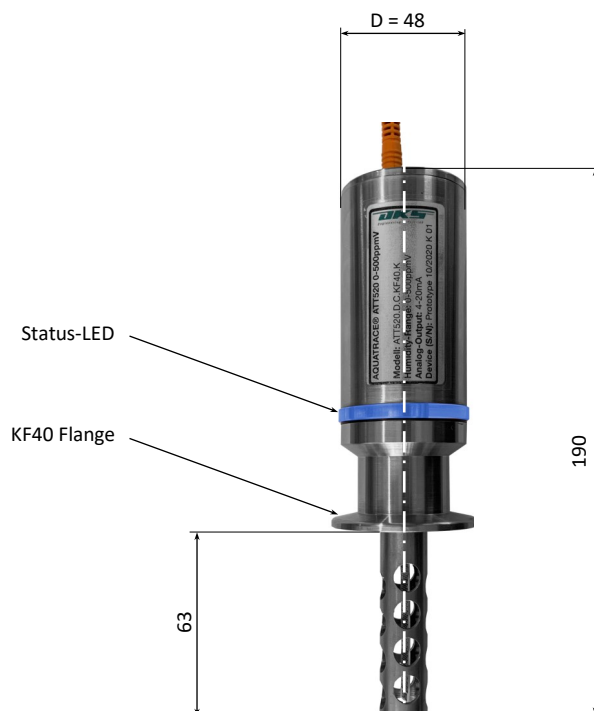
Process Connection: KF40 flange or G1/2" screw-in thread

E-Connection: M8 6-pin, 3m wire with flying leads

Weight: 0.7 kg

Dimensions: please have a look on page 4

Dimensions



Order code ATT520.(C/V).(-/D).(40KF/G12).(K/KF).(M/B)

AQUATRACE®- Transmitter	ATT520
Transmitter variant	
Current signal 4-20mA	C
Power signal 0-10V	V
Display	D
with bayonett lock and flow adapter	B
material V2A	S
flange DN 40	KF 40
G 1/2" screw-in thread	G12
Sensor variant	
Round ceramic with Pt-Interdigital structure	K
Flat ceramic with Pt-Interdigital structure	KF
Measuring Range	
Parts per Million	M
Parts per Billion	B